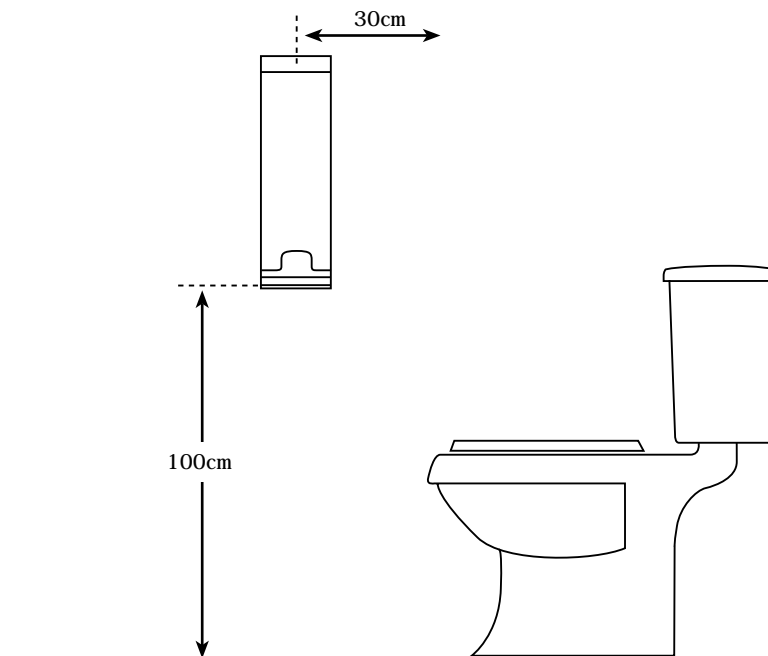


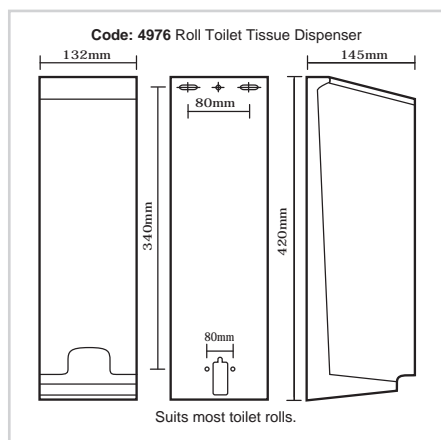
Installation Guide - Code 4976 Roll Toilet Tissue Dispenser

1
diagram



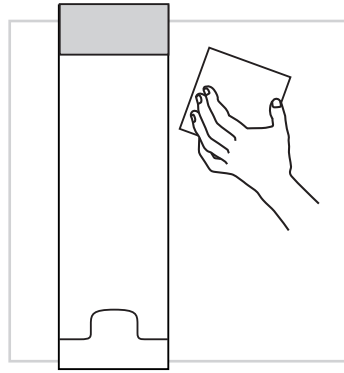
1. 4 screws are enclosed.
2. Use an appropriate 6mm drill bit in conjunction with wall plugs for masonry walls.
3. If plugs are not to be used then choose an appropriate size drill bit.
4. Using mounting template on box, mount the dispenser with bottom edge approximately 100cm from the floor and with centreline of dispenser 30cm from front edge of toilet (see diagram 1).
5. Use all mounting screws provided with dispenser as a minimum to attach dispenser to wall.
6. If no mounting template available open dispenser with key and hold squarely against wall while you mark drilling holes (or see diagram 2 for measurements).

2
diagram

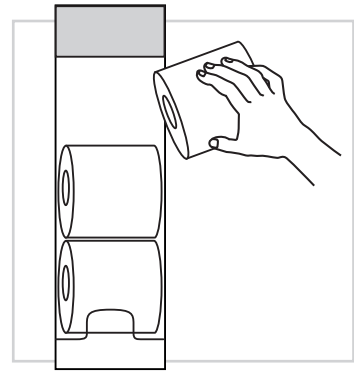


Usage Guide - Roll Toilet Tissue Dispenser

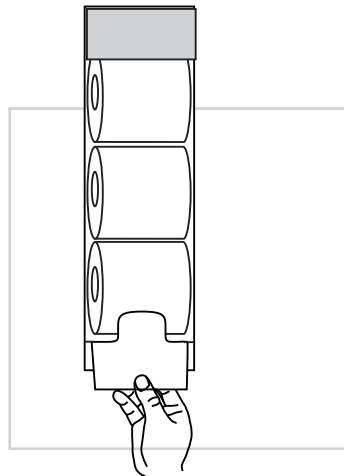
1 How to Load



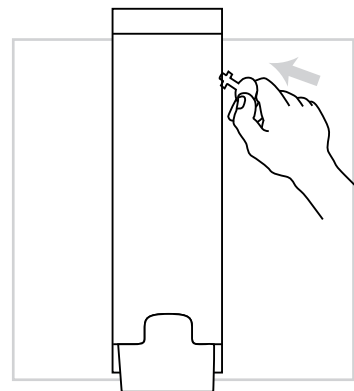
1. Use key to unlock the dispenser and remove top lid.



2. Remove wrappers and insert three rolls into dispenser

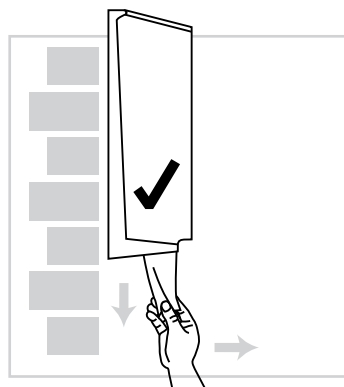


3. Feed first roll through mouth at bottom of dispenser.



4. Replace lid and lock with key.

2 How to Use



1. Pull tissue straight down and tear at an angle.